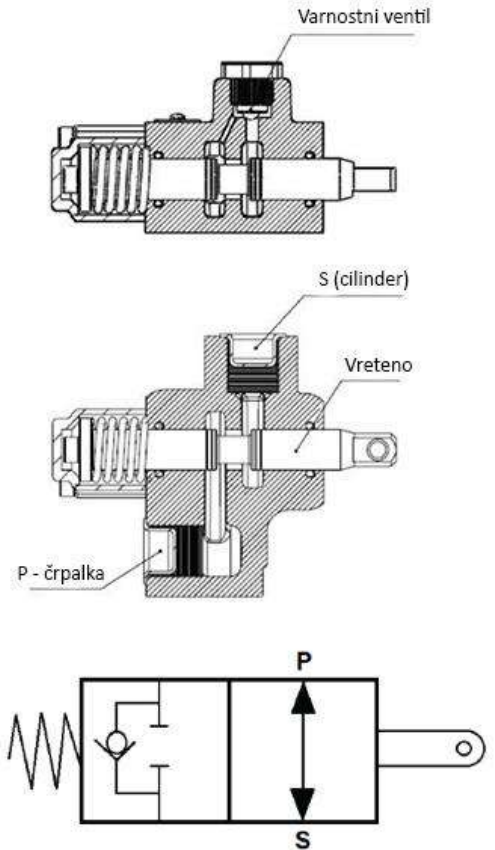
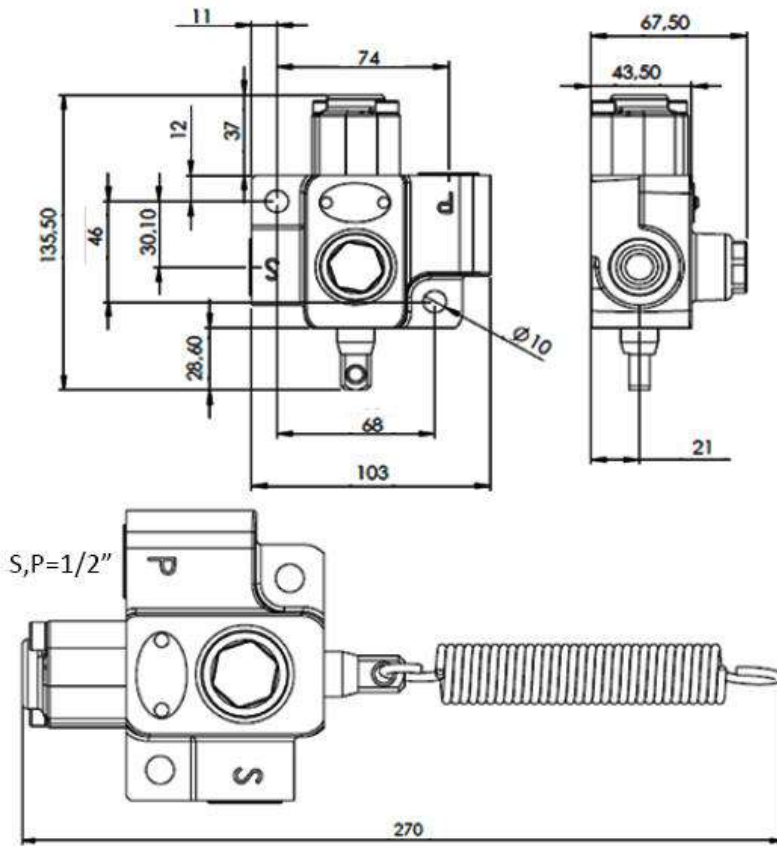


13270

[mm]



| | | |
|---|---------|--------------|
| Šifra / Code | | 13270 |
| Max. Delovni tlak / Max. Working pess. | [bar] | 300 |
| Max. Pretok / Max. Flow | [l/min] | 80 |
| Navoj "P", "S" / Thread "P", "S" | ["] | 1/2 |
| Temp. območje / Temp. range | [°C] | -35 / 60 |